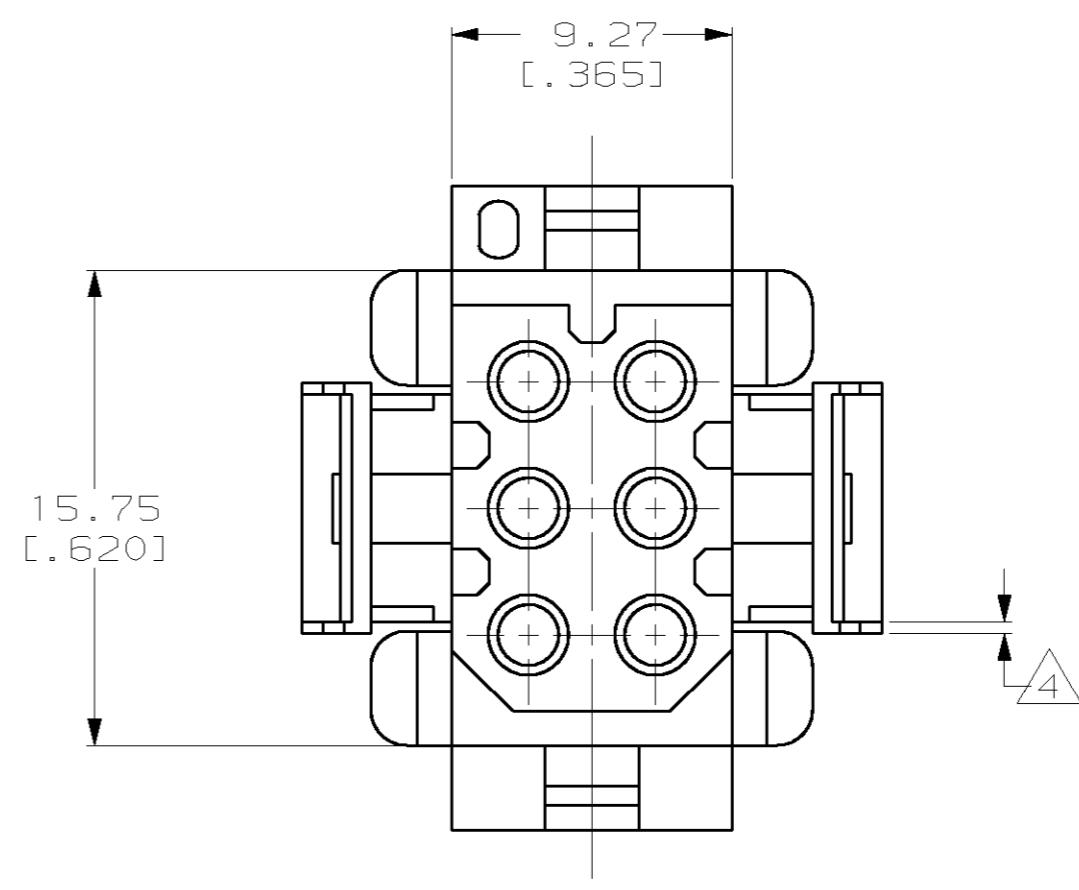
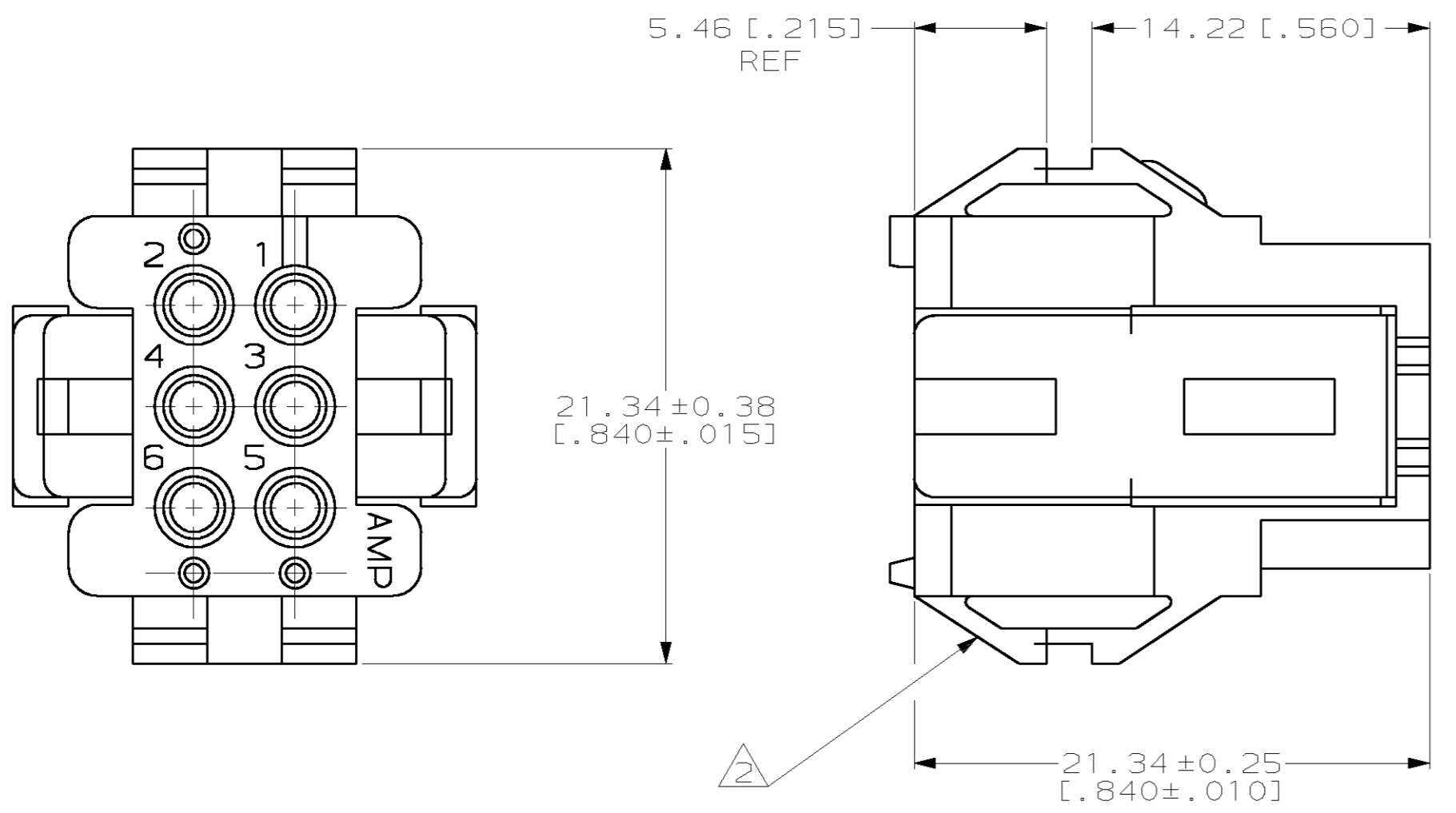
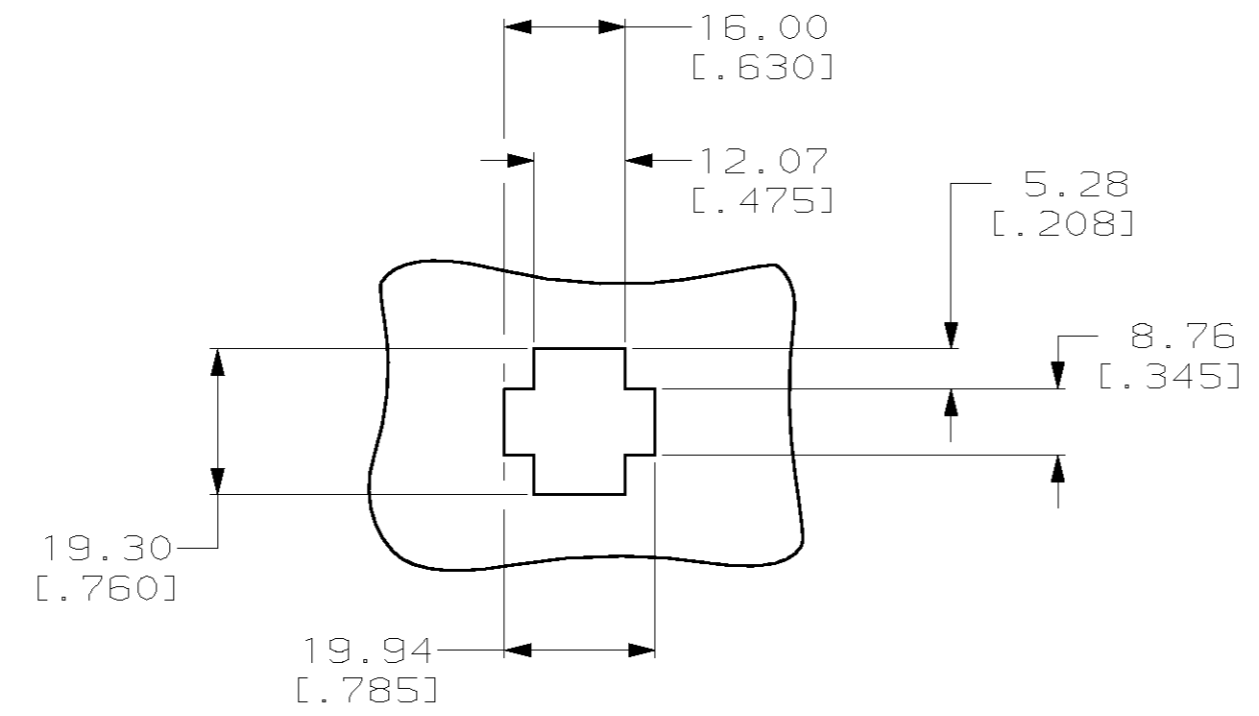
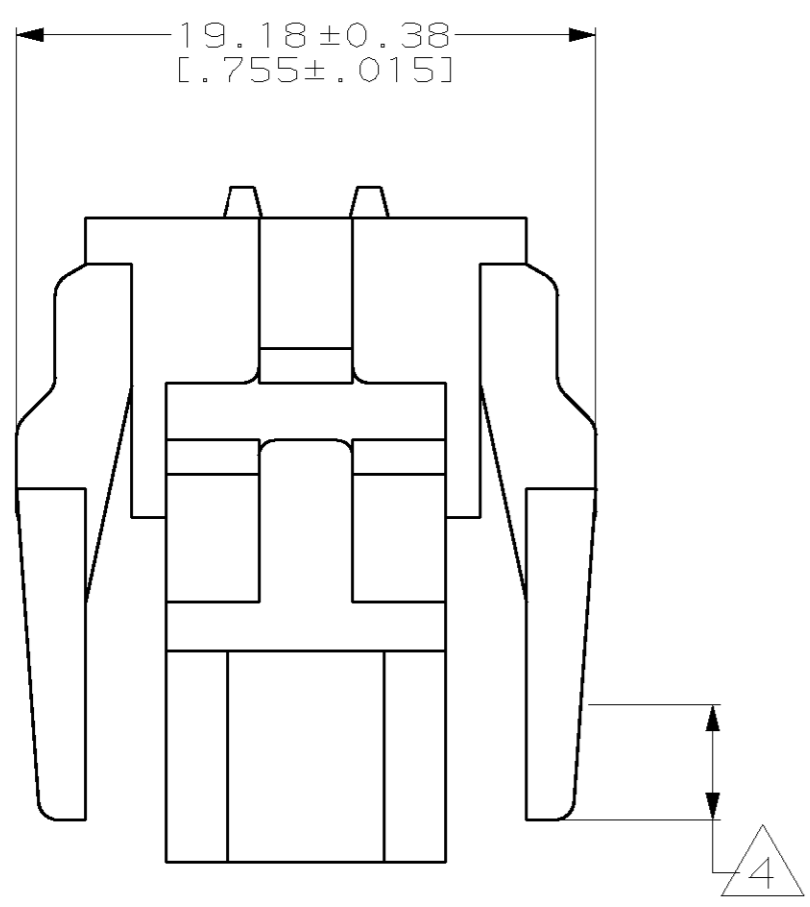


THIS DRAWING IS UNPUBLISHED. RELEASED FOR PUBLICATION .19
 © COPYRIGHT 19 BY AMP INCORPORATED. ALL RIGHTS RESERVED.

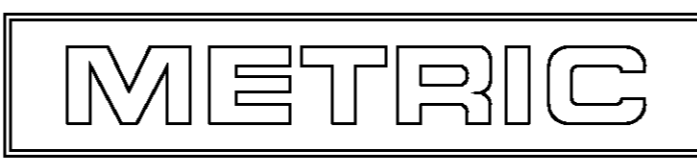
LOC		DIST		REVISIONS			
P	LTR	DESCRIPTION	DATE	DWN	APVD		
CM	52	F	REVISED PER EC 063B-0104-99	05-OCT-99	KW	KC	



- MATES WITH HOUSING 640510.
- UL LOGO AND CSA LOGO TO APPEAR ON EITHER LATCH SURFACE PER AMP SPEC 202-20, I.D. NO. 1-18838-3 AND 1-18839-3. FROST BACKGROUND OPTIONAL.
- DIMENSIONS IN BRACKETS ARE IN INCHES.
- NON-FILL PERMITTED UP TO 3.8[.15] FROM EDGE OF LATCH ARM ON THE 0.38[.015] THICK FLANGE, 4 PLC.



RECOMMENDED CUT OUT FOR 1.73[.068] MAX THICK PANEL
 SCALE 1:1



1-640520-0
 PART NUMBER

THIS DRAWING IS A CONTROLLED DOCUMENT.		DWN	R. VESTAL	12-01-97	AMP Incorporated Harrisburg, PA 17105-3608
DIMENSIONS: mm [INCHES]		CHK	R. SWING	12-01-97	
TOLERANCES UNLESS OTHERWISE SPECIFIED:		APVD	A. BEDDICK	12-01-97	
0 PLC	±	NAME		HOUSING, PLUG	
1 PLC	±	PRODUCT SPEC		MRII	
2 PLC	±0.13[.005]	APPLICATION SPEC		6 POSITION	
3 PLC	±	SIZE	A2	CAGE CODE	00779
4 PLC	±	DRAWING NO	C-640520		
ANGLES	±0°30'	WEIGHT	-		
FINISH	-	CUSTOMER DRAWING	SCALE	4:1	SHEET 1 OF 1
MATERIAL NYLON, UL 94V-0, NATURAL (BRICK RED)					REV F